

Used Car appraisal form

VEHICLE BASICS

Car Make:
 Car Model:
 Mileage:
 Colour:
 Registration No:
 Your Valuation:

EXTERIOR BODYWORK / TYRES

Previous Accident Damage:

 Any Modifications:
 e.g. privacy glass, tow-bar:
 Tyres that need replacing now/soon Qty:

INTERIOR OF CAR

Specification:
 e.g. Sat Nav, sunroof, leather
 Interior Condition
 e.g. Warn, tears, holes
 Known faults:

DOCUMENTATION

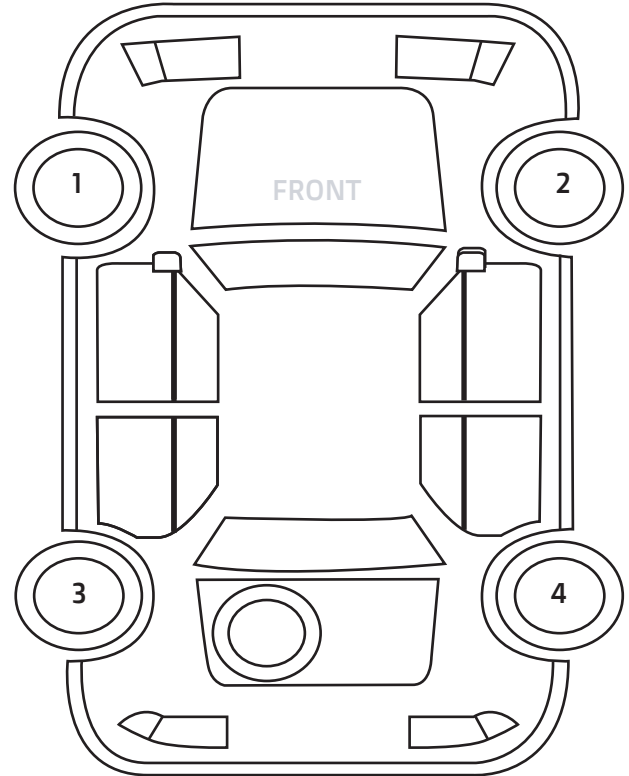
Service History Part Full None
 Is it main dealer service history? Yes | No
 Do you have previous MOTs? Yes | No
 Do you have V5 Registration Book? Yes | No
 Is there outstanding finance on your vehicle? Yes | No
 Has your vehicle been subject to a total loss claim? Yes | No
 Tax Expiry Date DD / MM / YYYY
 MOT Expiry Date DD / MM / YYYY
 Number of previous owners
 How many keys?

OWNER DETAILS

Name:
 Tel:
 Email:
 Address:

DAMAGE INDICATION

Please indicate the condition of the car by completing the diagram below including alloy wheel, windscreen & glass condition.
 Please use the following letters to indicate damage:
 X = dent O = Defective paint R = Rust C = Chips
 For scratches please draw a line to show the approximate location and length.



MECHANICAL

Known faults:
 Any Modifications:
 e.g. exhaust

Owner Signature Date



Top Gear Car Leasing, Queen Anne House
Bridge Road, Bagshot, Surrey, GU19 5AT

Telephone: 08000 014809
Email: sales@topgearcarleasing.co.uk

Additional Page