

Used Car appraisal form

VEHICLE BASICS

Car Make:

Car Model:

Mileage:

Colour:

Registration No:

Your Valuation:

EXTERIOR BODYWORK / TYRES

Previous Accident Damage:

.....

Any Modifications:

e.g. privacy glass, tow-bar:

Tyres that need replacing now/soon Qty:

INTERIOR OF CAR

Specification:
e.g. Sat Nav, sunroof, leather

Interior Condition
e.g. Warn, tears, holes

Known faults:

DOCUMENTATION

Service History Part Full None

Is it main dealer service history? Yes | No

Do you have previous MOTs? Yes | No

Do you have V5 Registration Book? Yes | No

Is there outstanding finance on your vehicle? Yes | No

Has your vehicle been subject to a total loss claim? Yes | No

Tax Expiry Date DD / MM / YYYY

MOT Expiry Date DD / MM / YYYY

Number of previous owners

How many keys?

OWNER DETAILS

Name:

Tel:

Email:

Address:

.....

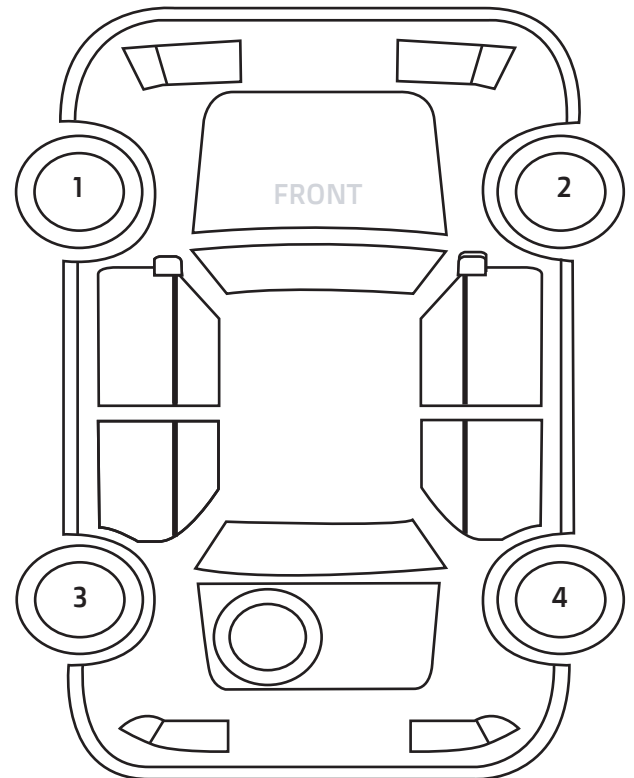
DAMAGE INDICATION

Please indicate the condition of the car by completing the diagram below including alloy wheel, windscreen & glass condition.

Please use the following letters to indicate damage:

X = dent O = Defective paint R = Rust C = Chips

For scratches please draw a line to show the approximate location and length.



MECHANICAL

Known faults:

Any Modifications:

e.g. exhaust

Owner Signature

Date

Additional Page